

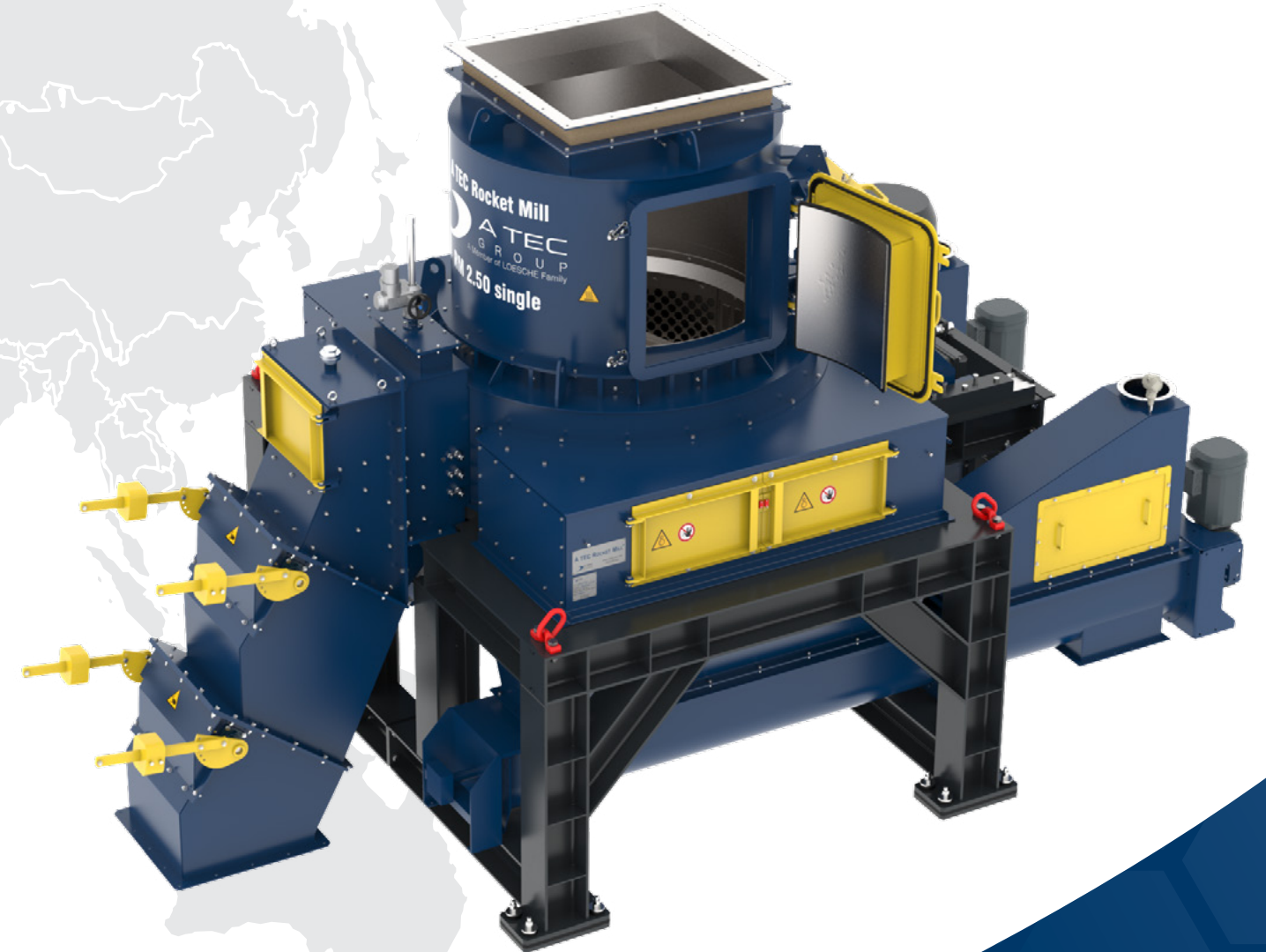
A TEC

ROCKET MILL 2.50 SINGLE


A TEC
Production Plant Construction GmbH,
Austria, Eberstein


A TEC
Technical Center,
Austria, Gödersdorf


A TEC
A TEC Production & Services GmbH
Austria, Gödersdorf



A TEC Production & Service GmbH
Finkensteinerstraße 9
9585 Gödersdorf
AUSTRIA
phone: +43 4257 3600
office@atec-ltd.com
www.atec-ltd.com

A TEC

ROCKET MILL 2.50 SINGLE

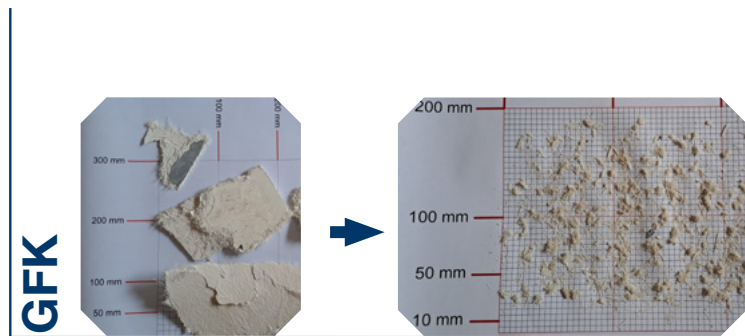


ALTERNATIVE FUELS

The Rocket Mill® is A TEC's innovation for alternative fuel preparation which combines drying and grinding in one step.

The machine is equipped with a grinding chamber. Permanent control of the mill power guarantees optimum and secure utilization. The input material usually only requires one pre-shredding step followed by a sieving step (which is sorting out the organic) and magnetic separation.

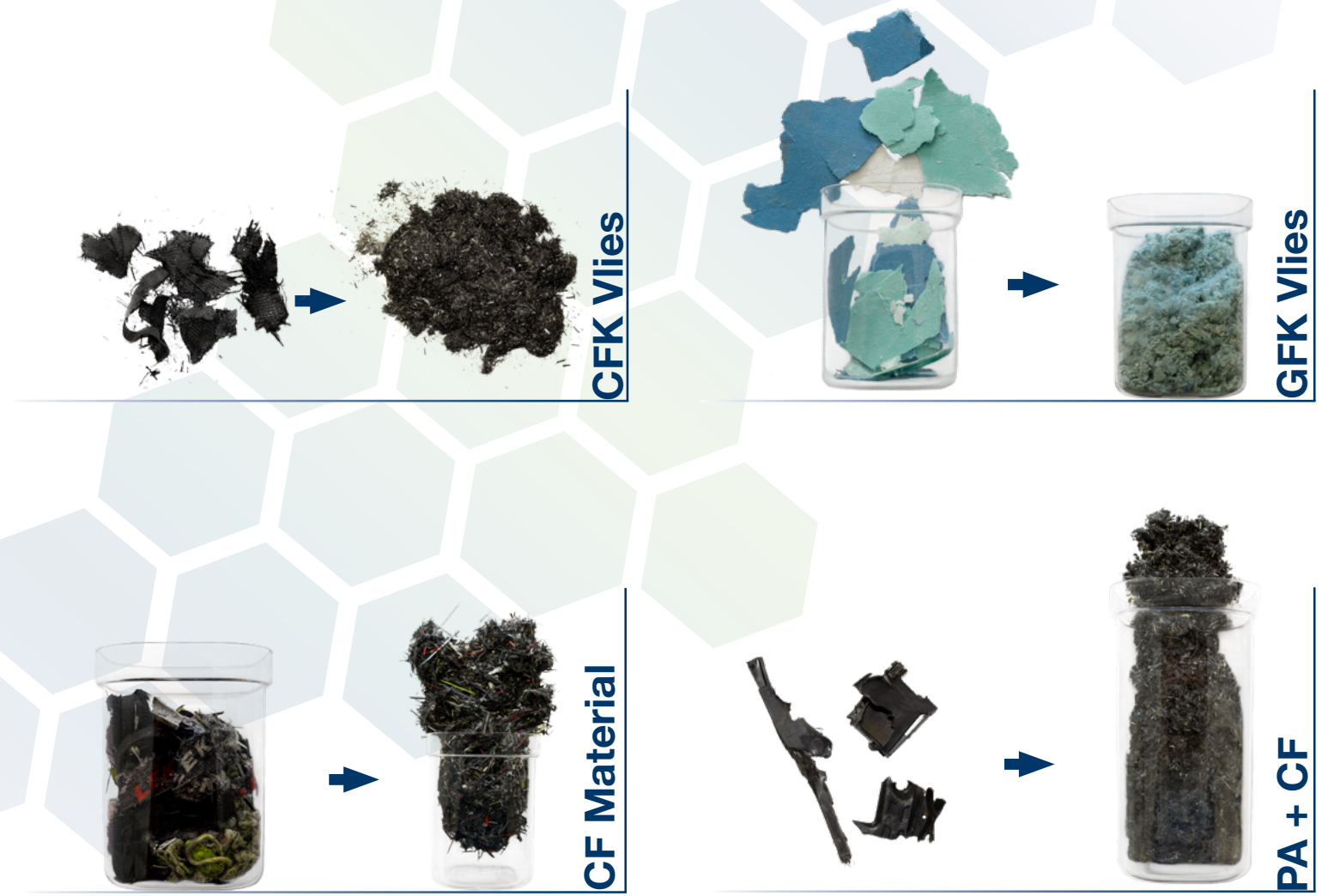
- Size reduction to 2 mm in one grinding step possible with certain materials
- Different output fuel particle sizes for the main burner and calciner possible
- Significant reduction of fuel costs due to higher thermal substitution rates.
- Reduction of CO₂ emissions
- Requires only a pre-shredding step
- Separated FE and non-FE materials can be fed back to the recycling process
- Reduction of conventional fossil fuel consumption



RECYCLING

The Rocket Mill is capable of crushing a variety of different materials and composites. The machine not only shreds the material but also separates the different materials during the shredding process.

This enables easier separation and a higher degree of purity of the different materials in the recycling process.



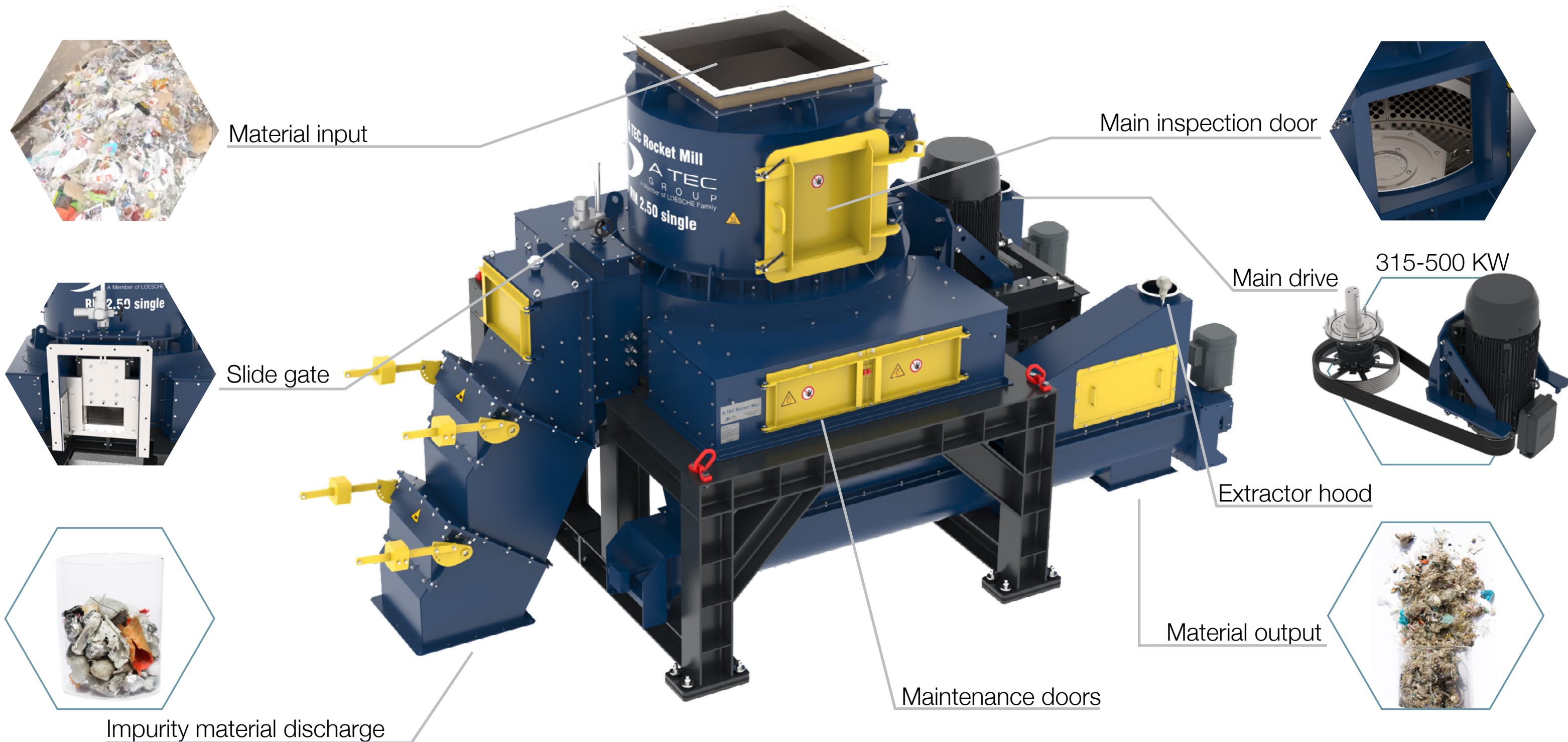
Due to the crushing technology of an impact crusher, composite materials such as GFK (glass-fibre reinforced plastic) or CFK (carbon-fibre reinforced plastic) from different industries can be processed particularly well. The robust construction and insensitive shredding tools of Rocket Mill have a longer lifetime and lower wear costs compared to conventional shredders with cutting tools.

A TEC

ROCKET MILL 2.50 SINGLE



DESCRIPTION OF A TEC ROCKET MILL



A TEC

ROCKET MILL 2.50 SINGLE



PROCESS DATA

- RDF for main burner 90% < 30 mm
- Throughput: up to 13 t/h*
- Specific power consumption: 30-35 kWh/t
- Output size: 90% < 30 mm
~ 50% < 10 mm

- RDF for calciner burner 90% < 50 mm
- Throughput: up to 20 t/h*
- Specific power consumption: 20-25 kWh/t
- Output size: 90% < 50 mm
~ 50% < 15 mm

* depending on material input characteristics

TECHNICAL DATA

- Dimensions: 7,950 x 4,280 x 4,400 mm
- Weight: approx. 26.500 kg
- Available motor power: 315, 400, 500 kw
- Rotor speed ~ 600 rpm

PROCESS DESCRIPTION

The vertical grinding chamber of the A TEC Rocket Mill is fed from above with the input material.

Getting in contact with the rotating chains, which are located at the bottom of the grinding chamber, the material experiences various impacts and acceleration by the rotating chains and walls of the grinding chamber, resulting in the crushing of the material. Moreover, an additional crushing and grinding effect is achieved by the turbulence and bulk particle movement.

Once the material's size is reduced sufficiently, it can leave the grinding chamber by passing the sieves, which are installed in the lower section of the grinding chamber.

The impacts and friction between the components and particles lead to an increase in the temperature, releasing a certain amount of moisture as a side effect.

This effect is further supported by the air draft from a dedusting filter system.

Easy maintenance

Easy to operate

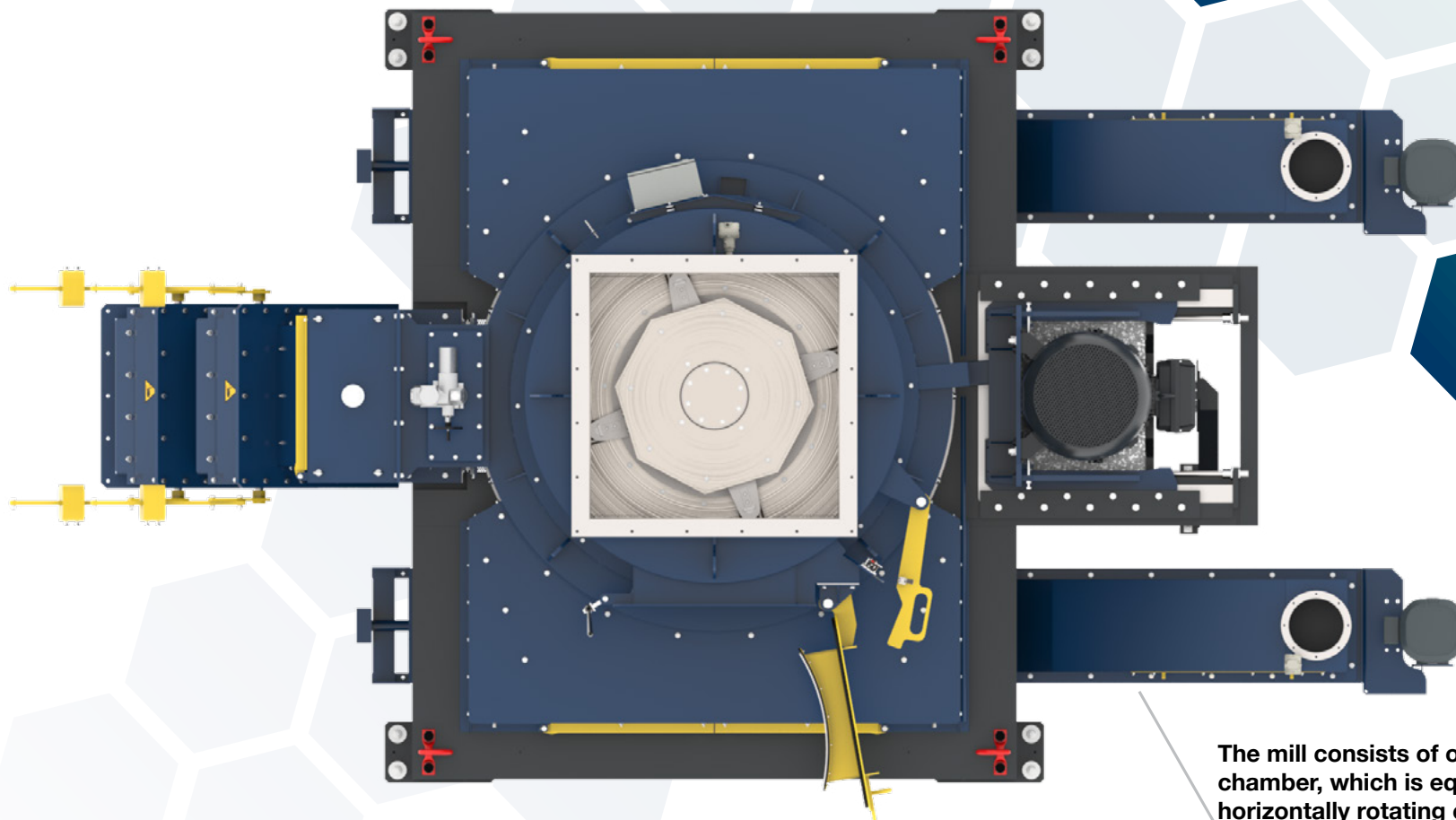
Drying effect

No knives

CRUSHING PROCESS

- Impact at rotating chains
- Impact at sieves and walls of grinding chamber
- Turbulence and particle movements

Results in high fineness.
A separation of foreign and heavy materials takes place during the grinding process.
High-quality alternative fuel.



The mill consists of one robustly-designed grinding chamber, which is equipped with four to eight horizontally rotating chains and perforated screens.

Grinding Chamber